

TOTO

隱蔽式水箱安裝說明書
Installation Instruction for
Manual Concealed Cistern

WH171AS (系列)

WH172AS (系列)

WH171AS (SERIES)

WH172AS (SERIES)

注意事項 Cautions	P. 1
簡易故障判斷及處理方式 Self diagnosis and troubleshooting	P. 2
安裝說明 Installation instructions	P.3 - P.12
維修保養 Servicing procedures	P.13 - P.14
保證書 Warranty	


567002
2019.06

請將說明書保留備用

PLEASE KEEP THE INSTRUCTION
MANUAL FOR LATER USER

注意事項 Cautions

 注意： 表示如果無視此標誌而錯誤理解、操作時可能發生誤解、危害人體及損壞物品的事件。

 **Caution:** Neglecting this sign may result in misunderstanding of the installation instructions, which can lead to injuries or damage to property.

重點事項：

1. 隱蔽式水箱功能：儲水、進水器、排水閥、壁掛式馬桶支架（使用功能記載於隱蔽式水箱面板說明書中）。
2. 此說明書只使用於隱蔽式水箱安裝相關內容。
3. 安裝時，請遵守當地法規標準。

Important:

1. Functions of the manual concealed cistern: storage water, inlet and outlet valve vessel, frame of wall-hung toilet, The function reflected in the manual actuator panel instructions.
2. This instruction manual only supports the installation of the manual concealed cistern.
3. The installation has to be in accordance with local standards.

清潔、廢物處理 Cleaning and waste disposal

1. 請使用清水或稀釋過的中性清潔劑（如洗碗精等）擦拭和清潔水箱面板、杜絕用腐蝕性強的清潔劑（如去油污、塗料稀釋劑、苯等）或鐵絲球進行擦拭，以免腐蝕並破壞面板的美觀。
Use water or dilute mild detergent (such as dishwashing detergent) to scrub and clean the surface. Never use strong corrosive detergent (such as cleanser, paint thinner, benzene and so on) or wire ball to scrub, and to avoid corroding the surface of the product.
2. 如果您需要廢棄本產品，請勿將其作為一般生活垃圾處理，請依照法規經由合格的回收業者進行合適的處理、恢復和回收。
Please dispose of this product in accordance to the local waste disposal laws and regulations.

簡易故障判斷及處理方法 Self diagnosis and troubleshooting

⚠️ 溫馨提醒：

以下表格問題點的處理方法中有註明（針對用戶）的，用戶可以參照自行解決。如果解決不了時，需及時聯繫相應專業的維修人士解決，嚴禁未經指定的非專業人士自行拆解和維修，避免問題擴大化或產生不必要的麻煩和損失。

⚠️ Note:

Users may fix the problems on their own if the corrective action is to be taken by the user according to the chart below. Non-professionals are prohibited from disassembling and repairing the product. Please contact the relevant professionals for further troubleshooting to avoid aggravating the problem.

常見故障	原因	處理方法
水箱無法進水	1. 進水總閥未打開或停水。	1. 打開進水總閥或聯繫業者解決 (針對用戶)
	2. 水箱止水栓未打開。	2. 打開水箱止水栓 (針對用戶)
	3. 進水器浮筒有異物卡住或進水器傳動部件使得浮筒無法正常作動。	3. 檢查進水器並排除異物 (針對專業的維修人員)
	4. 排除以上原因，依然無法進水。	4. 更換進水器 (針對專業的維修人員)
水箱有水不斷流到馬桶裡	1. 水箱出水口、排水閥底座周圍有異物（砌牆時不小心掉入的砂漿、小石塊等），造成排水閥無法很好的密閉。	1. 清理水箱內部的異物 (針對專業的維修人員)
	2. 面板調節螺桿外露部份偏長，面板裝上後造成排水閥橡膠圈固定在某一位置上，無法密閉。	2. 調整面板調節螺桿的位置 (針對專業的維修人員)
	3. 在水箱裡面的面板調節螺桿偏長，頂到水箱內部的軟管或其水箱箱體上，導致無法復位。	3. 剪短面板調節螺桿 (針對專業的維修人員)

Common faults	Possible causes	Corrective actions
Water does not flow into the tank	1. Household water supply has not been turned on or has been cut off.	1. Turn on the household water supply or contact the relevant personnel (To be done by the user).
	2. Angle valve has not been turned on.	2. Turn on the angle valve (To be done by professionals only).
	3. Residuums in the inlet valve causing the float device to not operate properly.	3. Check the fill valve and remove the residuum (To be done by professionals only).
	4. None of the above.	4. Change the inlet valve (To be done by professionals only).
Water is constantly running into the bowl.	1. Flush valve seal is not completely closed due to residuums around the outlet of the cistern and flush valve (sand or debris lodged in during installation).	1. Remove the residuums in the cistern (To be done by professionals only).
	2. The exposed part of the panel's adjust screw is too long, which resulting the rubber of flush valve can not fixed in a certain position and can not sealed.	2. Adjust the position of the panel's screw (To be done by professionals only).
	3. The part of panel's adjusting screw in the cistern is too long, which may get stuck in the soft pipe or cistern body and unable to return sometimes.	3. To cut back the adjust screw (To be done by professionals only).

安裝說明

Installation instruction for manual concealed cistern

⚠ 重要說明：

1. 安裝前請仔細閱讀說明書，本公司不承擔因安裝人員未依說明書要求施工所造成的損失。
2. 在支架安裝前，應先確認安裝位置，並根據室內裝修的總體策劃確定裝修完成後的地面FFL，在安裝牆上畫出FFL線，並以此作為高度0的基準線。
- ⚠ 3. 在安裝支架前，請確認所安裝牆壁是承重牆，牆壁厚度在80mm以上，且當300kgf以上的力施加於完工後的馬桶前端時，牆壁應能承受這股拉力。

- 注意：1. 請於貼瓷磚前安裝本產品；所有的尺寸單位為毫米(mm)。
2. 圖示零件若與實物不符，請以實物為準。

⚠ FFL ∇ = 完成地板。

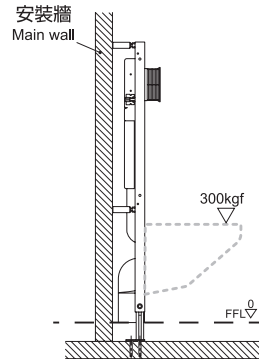
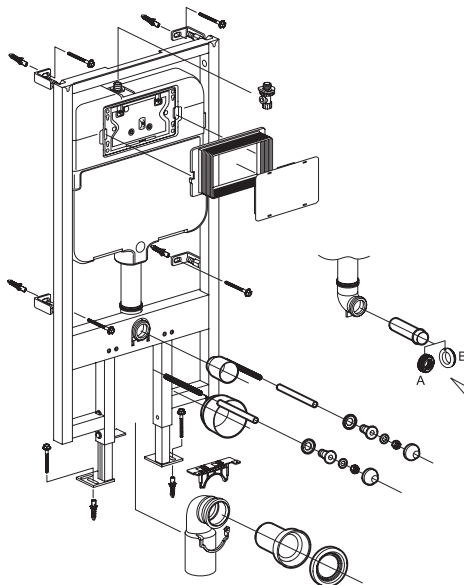
⚠ Important:

1. Please read through this Instructions carefully prior to installation, and our company shall not be responsible for any loss caused by not installing according with this Instructions.
2. Please confirm the FFL according to the overall indoor fitment method. Line out the FFL on the wall and always regard FFL as datum line of 0 height.
- ⚠ 3. Please confirm the wall is the main wall, the thickness exceed 80mm and it can bear more than 300kgf strength when the strength act on the front of toilet bowl.

- Note:** 1. Please install the frame before paving the tiles. The dimensional unit is millimeter.
2. As the parts images are for illustrative purposes only, please refer to the actual product if it varies from the parts images.

⚠ FFL ∇ = FFL of finish face, all dimension is millimeter

配件一覽表 Accessories List



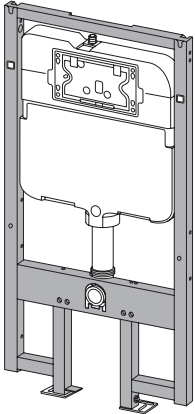
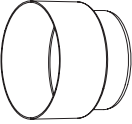
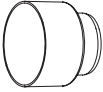
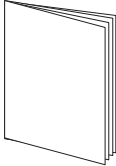
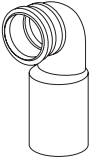
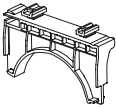















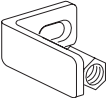

進水直管密封套提供兩種規格A和B，安裝時請依據馬桶型號選配。

Straight flush pipe of some products are offered with two kinds of seal gaskets A.B which can be selected according to toilet bowl type during installation.

包裝確認 Included Parts

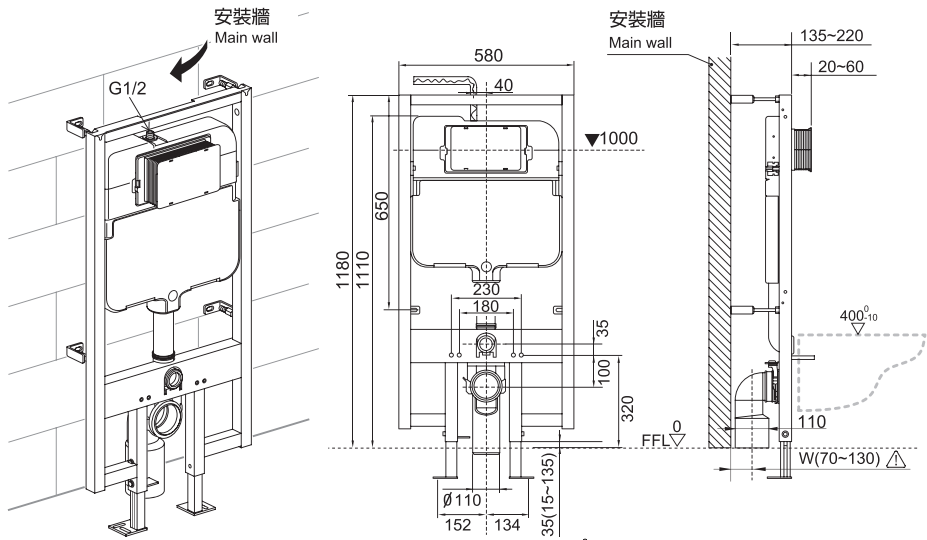
請仔細確認包裝中的配件是否齊全:

Check to make sure you have all these parts from the package:

<p>牆內水箱(支架) In Wall Tank (Carrier)</p> 	<p>包裝1中的配件 Parts in Bag 1</p> <div style="display: flex; justify-content: space-around;"> <div style="text-align: center;">  <p>排水管 擋泥堵頭 Outlet Pipe Mud Guard</p> </div> <div style="text-align: center;">  <p>進水管 擋泥堵頭 Inlet Pipe Mud Guard</p> </div> </div>		 <p>安裝說明書 Installation Manual</p>
<p>包裝2中的配件 Parts in Bag 2</p> <div style="display: grid; grid-template-columns: repeat(3, 1fr); gap: 10px;"> <div style="text-align: center;">  <p>排水管 Outlet Pipe</p> </div> <div style="text-align: center;">  <p>上管夾 Upper Bracket</p> </div> <div style="text-align: center;">  <p>螺絲(*6) Lag Screw (*6)</p> </div> <div style="text-align: center;">  <p>全螺牙螺桿(*2) Threaded Mounting Stud (*2)</p> </div> <div style="text-align: center;">  <p>下管夾 Lower Bracket</p> </div> <div style="text-align: center;">  <p>塑膠子(*6) Anchor (*6)</p> </div> </div>	<p>包裝3中的配件 Parts in Bag 3</p> <div style="display: grid; grid-template-columns: repeat(3, 1fr); gap: 10px;"> <div style="text-align: center;">  <p>法蘭管 Flange Pipe</p> </div> <div style="text-align: center;">  <p>密封套A Seal Gasket A</p> </div> <div style="text-align: center;">  <p>密封套B Seal Gasket B</p> </div> <div style="text-align: center;">  <p>進水直管 Inlet Pipe</p> </div> <div style="text-align: center;">  <p>螺母(*2) Nut (*2)</p> </div> <div style="text-align: center;">  <p>墊片(*2) Washer (*2)</p> </div> <div style="text-align: center;">  <p>螺栓法蘭(*2) Stud Bolt Flange (*2)</p> </div> <div style="text-align: center;">  <p>蓋子(*2) Cap (*2)</p> </div> <div style="text-align: center;">  <p>潤滑海綿 Lubricated Sponge</p> </div> </div>		
<p>包裝4中的配件 Parts in Bag 4</p> <div style="display: flex; justify-content: space-between;"> <div style="text-align: center;">  <p>長螺栓(*4) Bolt (*4)</p> </div> <div style="text-align: center;">  <p>螺母(*4) Nut (*4)</p> </div> <div style="text-align: center;">  <p>牆腳固定塊 Angle Fixture</p> </div> <div style="text-align: center;">  <p>三角凡而 Angle Valve</p> </div> </div>			

1 基本尺寸及供水管道鋪設:

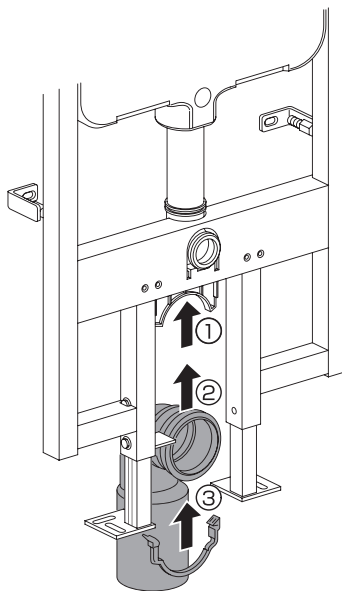
Dimensions and Supply Pipe-laying

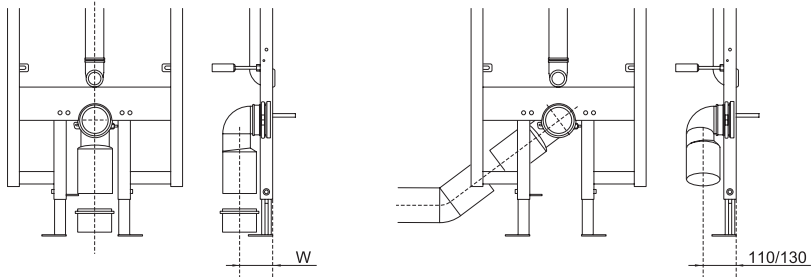


- ⚠ 要求排水管中心到安裝牆面的距離(w) 在70~130之間
- ⚠ Please make sure W is between 70 to 130.

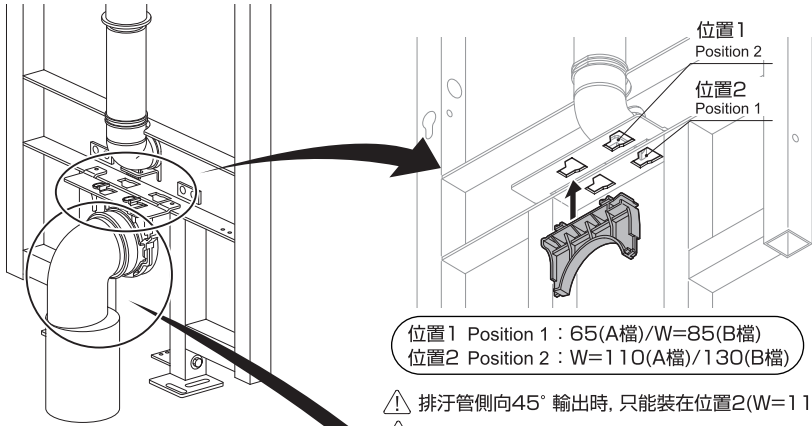
2 排汙管安裝:

Drainage Pipe Installation



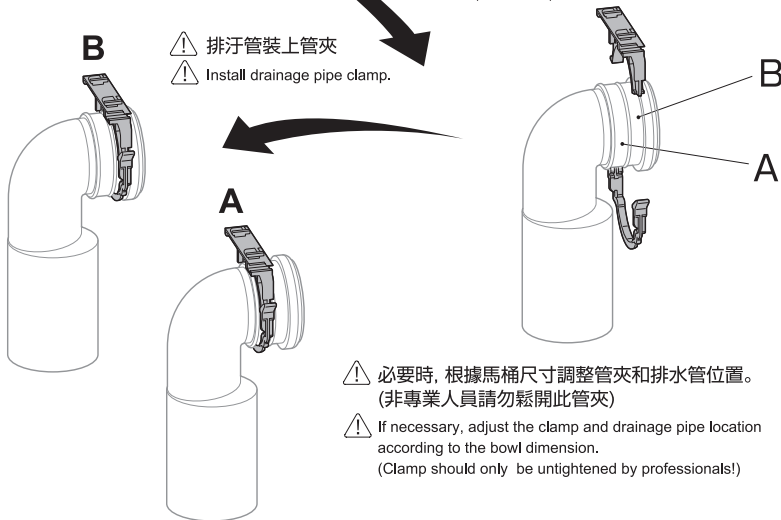


- ⚠ 注意：排尿管側向安裝角度一般不超過45°，否則很可能會影響排汗效果。
- ⚠ Note: The drainage function may be affected when the installation angle of drainage pipe exceed 45°



位置1 Position 1 : 65(A檔)/W=85(B檔)
 位置2 Position 2 : W=110(A檔)/130(B檔)

- ⚠ 排尿管側向45°輸出時，只能裝在位置2(W=110/130)
- ⚠ When excretory tube lean 45°, it can only be fixed in Position 2(W=80/100).

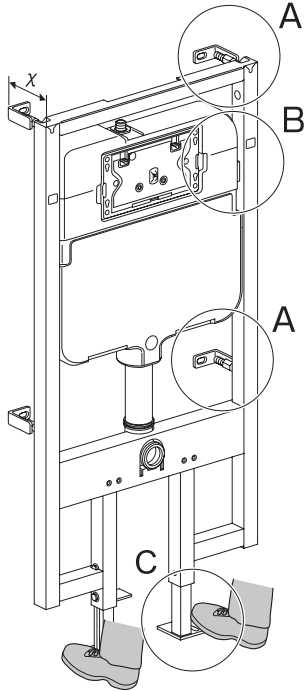




- ⚠ 排尿管裝上管夾
- ⚠ Install drainage pipe clamp.

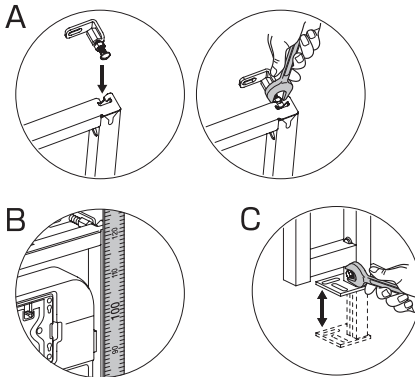
- ⚠ 必要時，根據馬桶尺寸調整管夾和排水管位置。(非專業人員請勿鬆開此管夾)
- ⚠ If necessary, adjust the clamp and drainage pipe location according to the bowl dimension. (Clamp should only be untightened by professionals!)

3 牆腳組裝、地腳調節：

Install Wall-fixing bracket and adjust floor-fixing bracket

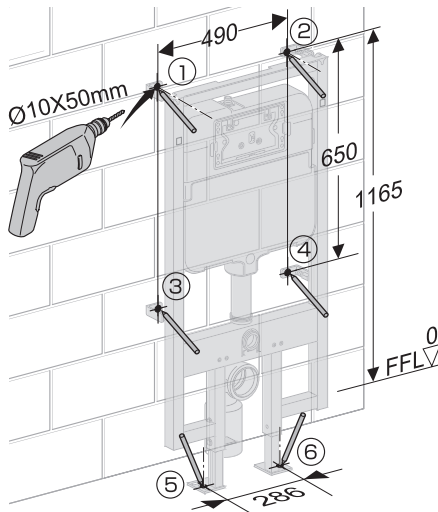


-  $x < 170$: 螺栓長度為75mm
 $x < 170$: Bolt length of 75 mm
-  $x \geq 170$: 螺栓長度為120mm
 $x \geq 170$: Bolt length of 120 mm



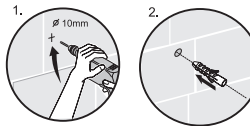
4 在安裝牆及地面鑽孔：

Drill on the main wall and floor



5 膨脹螺絲的使用方法：

Install Expansion Bolts

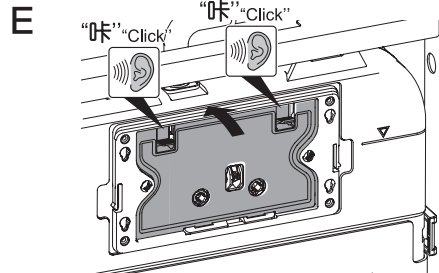
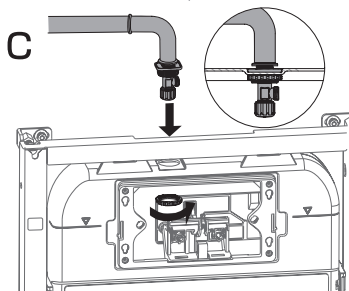
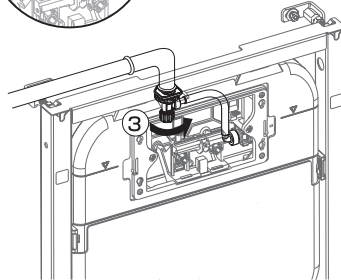
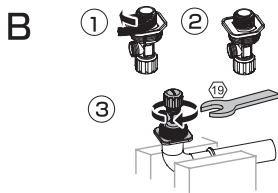
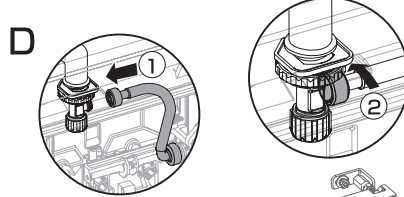
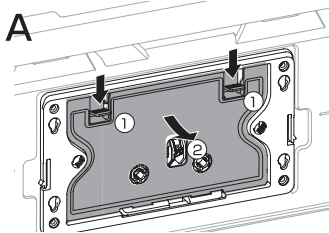
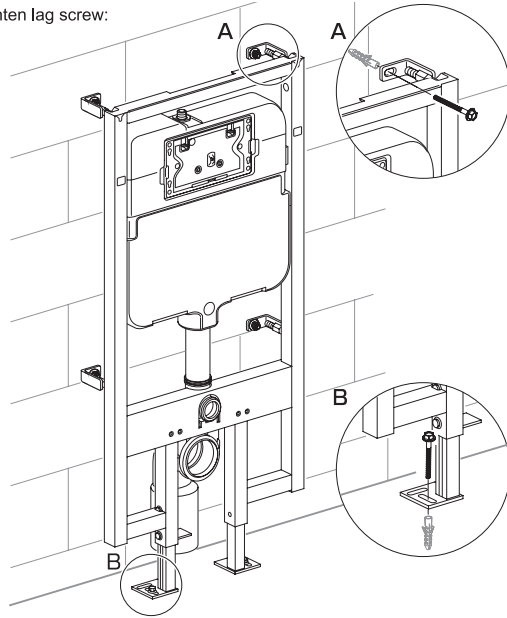
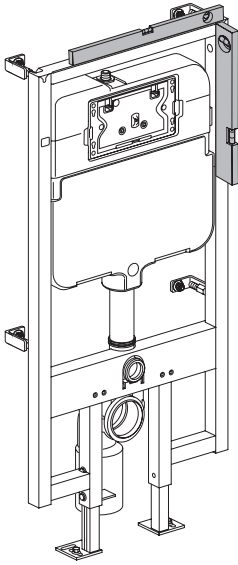


- 步驟說明：
1. 鑽孔 $\varnothing 10$ *深60
 2. 裝入塑膠子

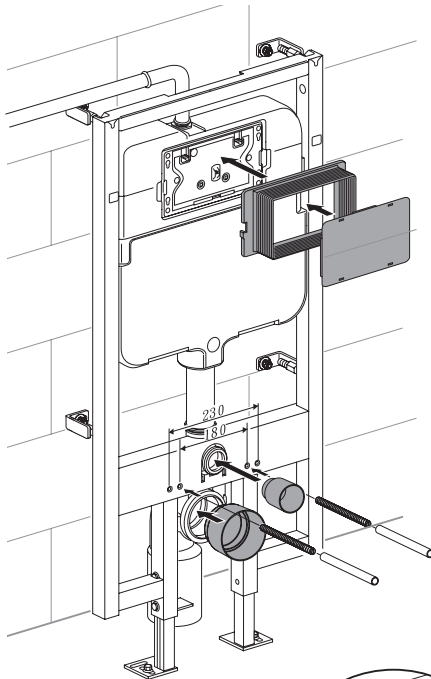
As shown on picture:
1. Drill $\varnothing 10$ *60;
2. Insert anchor;

6 調節支架的水平 and 垂直, 並鎖緊螺絲:

Adjust horizontally and vertically, and tighten lag screw:

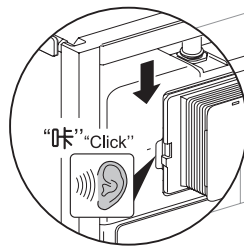


7 裝入裝修嵌件安裝： Install Plug:



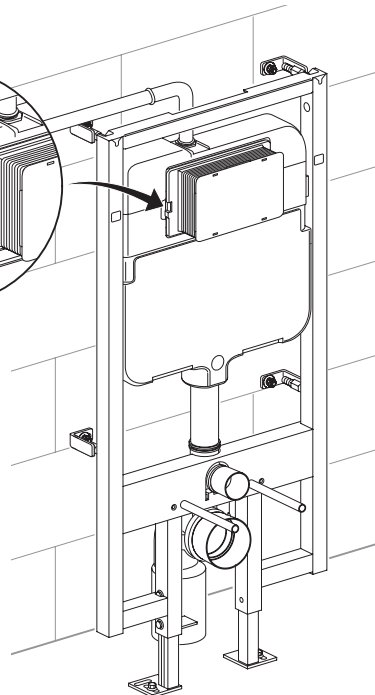
注意：
⚠ 對於長螺桿的固定支撐上提供二組不同距離螺柱孔(230, 180), 裝配時, 請依據馬桶的尺寸進行選擇安裝。

⚠ For the fixing of the long screw, there are two groups of screw holes on the bracket which are of different distance (230, 180). Please choose the right position according to the size of the toilet bowl.



⚠ 重要提醒：在支架安裝後砌牆前, 務必通水並放置12小時以上, 檢查是否有滲漏現象。

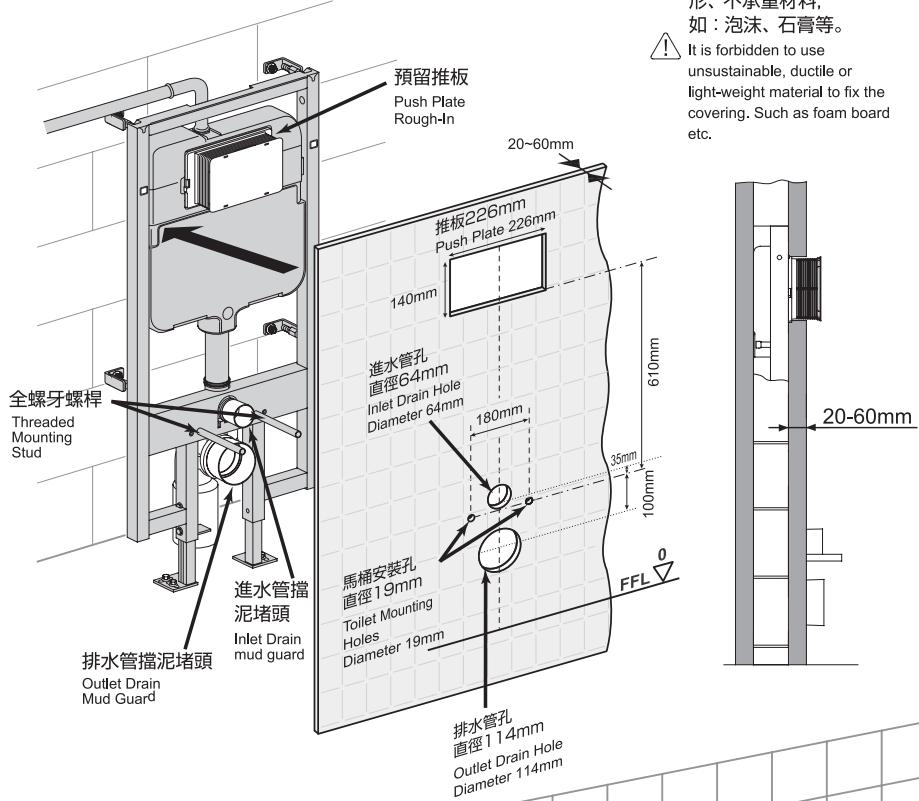
⚠ Important remind: When the concealed tank fixed completely, it is important to test leaking with water upon 12 hours before fixing wall.



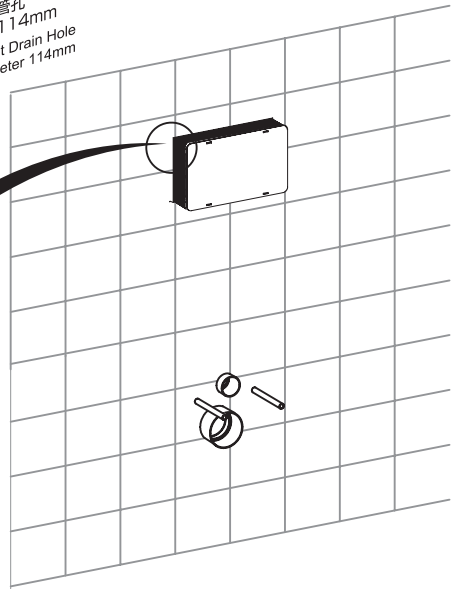
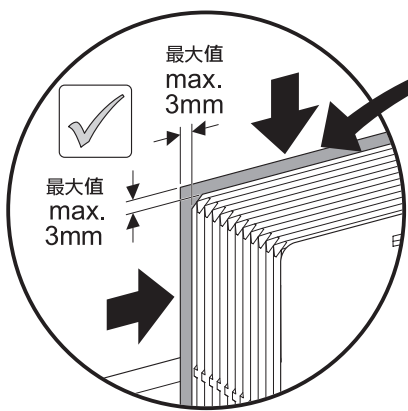
完成示意圖
Sketch of installed frame

8 裝修牆厚度範圍20~60mm (從固定支架外面算起, 到貼磚後完成面)

The thickness of fixed wall is 20-60mm
(measured from the front of frame to the finished tile surface)



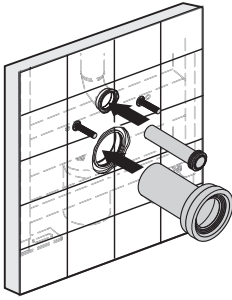
注意：
 ⚠️ 裝修牆嚴禁使用輕質、易變形、不承重材料，如：泡沫、石膏等。
 ⚠️ It is forbidden to use unsustainable, ductile or light-weight material to fix the covering. Such as foam board etc.



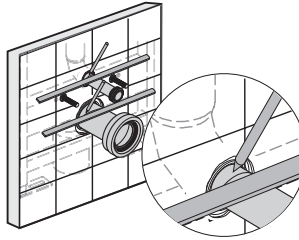
9 安裝馬桶：

Install the toilet

1.

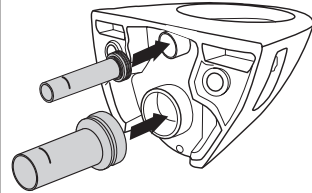


2.



將直管分別插入沖水管和排水管
到位，並劃線標誌。
Set Straight Pipes into Flush Bend and
Drain Bend properly, and marks lines.

3.

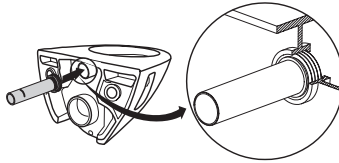


分別在兩根直管橡膠圈上塗上潤滑
油後，再插進馬桶中。(沖刷直管密
封套安裝方式見3.1、3.2、3.3)
Add lubricant onto the Rubber Gaskets of
two Straight Pipes and set them into Bowl.
(Flush Pipe seal Gasket assembly see 3.1,
3.2 and 3.3).

3.1 沖刷直管密封套。
Flush Pipe Seal
Gasket.

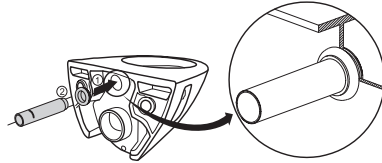


3.2 沖刷直管密封套A安裝示意圖。
Seal Gasket A install



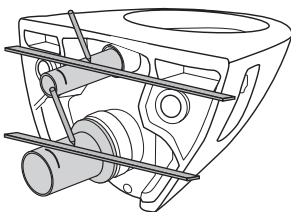
密封套A安裝時連同沖刷直管一起插進馬
桶進水孔內。
Seal Gasket A insert into Bowl with Flush Pipe
together.

3.3 沖刷直管密封套B安裝示意圖。
Seal Gasket B install.



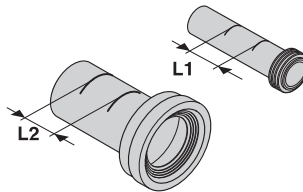
密封套B安裝：
① 首先必須將密封套進入馬桶孔；
② 然後將沖刷直管塞進密封套B。
Seal Gasket B install:
① install the Gasket into Bowl first;
② then insert the Flush Pipe into the Seal Gasket.

4.



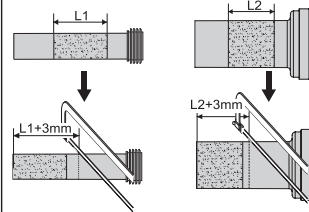
如圖劃線標誌。
Mark lines as shows.

5.



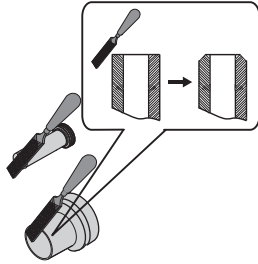
進水直管所劃線標誌之間距離 L1；
法藍管所劃線標誌之間距離 L2。
L1 is the distance of two marks on Flush
Straight Pipe, and L2 is that of two marks
on Drainpipe Straight Pipe.

6.



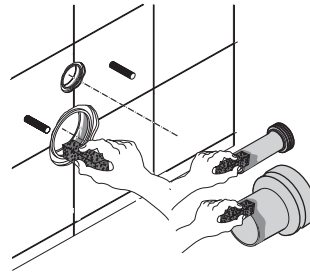
如圖切割直管。
Cut Straight Pipe just as shows.

7.



將裁短的兩根直管管口端面打磨倒角(如圖), 並去除毛邊。
Chamfer and trim the cutting edges on the shortened Straight pipes (as shows).

8.



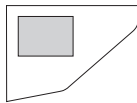
取出帶有膠合劑海綿在直管與彎管的結合處塗上膠合劑。
Take out the sponge with silicon oil and smear it on connecting edges of Straight Pipe and Bends.

10 安裝馬桶：

Install the toilet:

1.

馬桶類型
Toilet bowl type

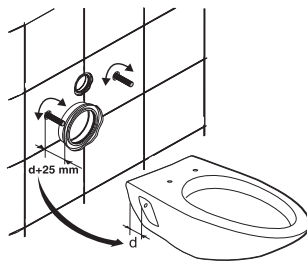


請進入步驟2。
Proceed to step 2.



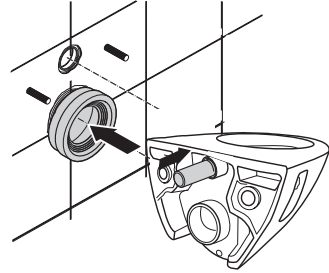
請按照馬桶附帶的施工說明書進行安裝。
Install according to the Installation Guide enclosed with the toilet bowl.

2.



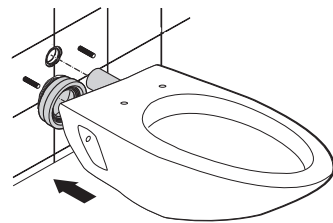
螺桿調節長度為 $d+25\text{mm}$ (如圖)
Adjusting length for Bolt is $d+25\text{mm}$ as shows.

3.



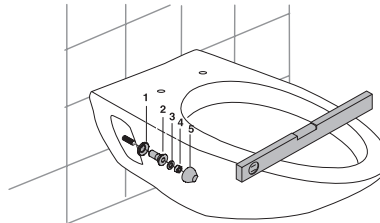
排水直管插進排水管, 再將進水直管插進馬桶進水孔。
First install Drain Straight Pipe into Drain Bend, and then install Flush Straight Pipe into Hole on Bowl.

4.



插進馬桶。
Install Bowl.

5.



試運行後, 請確認所有連接部均無漏水現象。
如安裝不到位, 就有可能會發生漏水, 造成財產損失, 如淋濕家具等。
After conducting a test run, confirm that no connections are leaking water.
Not installing the product properly may cause water leaks that could result in flooding damage to property, such as household belongings.

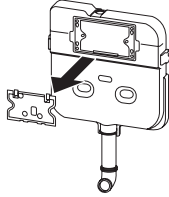
維修保養

Servicing procedures

更換排水閥

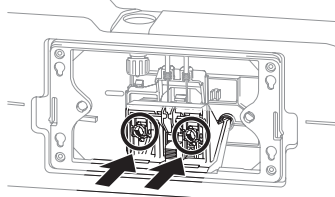
Replacing the Flush Valve

1.



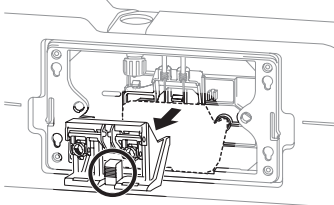
拆下並拉出擋板。
Remove the splash guard and pull it out.

2.



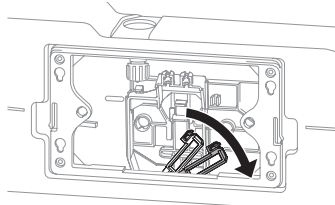
關閉水箱中的三角凡而，然後按下驅動件上的按鈕進行沖水。
Close the shutoff valve in the tank, and then push the button on the actuator to flush the water.

3.



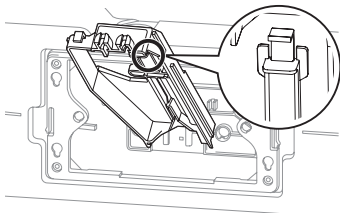
壓住拉手拆下驅動件。
Push on the tab to remove the actuator.

4.



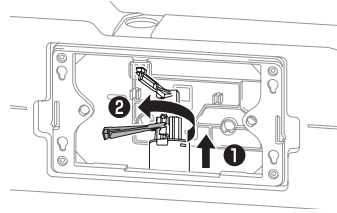
將排水閥的兩根拉桿傾斜至右側。
Tilt the two pull-up rods of the flush valve to the right.

5.



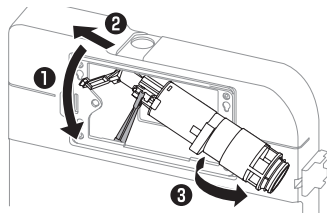
拉緊拉手(如圖中所示)，拆下壓緊支架。
Remove the hold-down bracket by pulling on the tab indicated.

6.



拉緊排水閥，旋轉拉桿。
Pull the flush valve up, and rotate the rods.

7.



拉出時旋轉整個排水閥。
Rotate the whole unit as you pull it out.

8.

排水閥底端的橡膠圈可以拆下進行清潔或更換。
At the other end of the flush valve, the rubber piece can be removed for cleaning or to be replaced.

9.

依照與上述相反的步驟操作，便能將零件安裝回水箱。
To install the parts back into the tank, do the reverse order.

清潔進水器濾嘴

Cleaning the Filter of the Fill Valve

1. 依照上述操作，關閉三角凡而，然後拆下進水閥。
2. 如圖所示，拆開進水器，然後用水清洗過濾網，或者用刷子清除髒汙。
3. 依照與上述相反的步驟操作，便能將進水器安裝回原來的位置。

1. Close the water shutoff valve, and then remove the fill valve as described above.
2. As shown in the figure, disassemble the fill valve, and then either clean the filter with water or use a brush to clean any dirt from it.
3. To install, follow the procedure in reverse to return the fill valve to its original position.

