



## WH142AS (系列) WH142AS (SERIES)

注意事項 Cautions	．．． 項.2 ．．． P.2
簡易故障判斷及處理方式 Self diagnosis and troubleshooting	．．． 項.3 ．．． P.3
安裝說明 Installation instructions	．．． 項.4 ．．． P.4
維修保養 Servicing procedures	．． 項.14 ．．． P.14

## 注意事項 Cautions

 **注意：** 忽視此標誌可能導致對安裝說明書的誤解，從而造成人身傷害或財產損失。

 **Caution:** Neglecting this sign may result in misunderstanding of the installation instructions, which can lead to injuries or damage to property.

### **重要事項：**

1. 隱蔽式水箱功能：儲水、進排水閥容器、壁掛式馬桶支架，使用功能記載於隱蔽式水箱面板說明書中。
2. 此說明書只提供隱蔽式水箱安裝相關內容。
3. 在澳大利亞地區安裝時請遵守AS/NZS 3500系列標準或者當地標準。

### **Important:**

1. Functions of the manual concealed cistern: storage water, inlet and outlet valve vessel, frame of wall-hung toilet, The function reflected in the manual actuator panel instructions.
2. This instruction manual only supports the installation of the manual concealed cistern.
3. For Australia, the installation has to be in accordance with AS/NZS 3500 series of Standards and/or local standards.

## 清潔、廢物處理 Cleaning and waste disposal

- 1、請使用清水或稀釋的中性清潔劑(如洗碗精等)擦拭和清潔水箱面板、杜絕使用腐蝕性強的清潔劑(如：去汙粉、塗料稀釋劑、苯等)或鐵絲球進行擦拭，以免腐蝕並破壞面板的美觀。  
Use water or dilute mild detergent (such as dishwashing detergent) to scrub and clean the surface, Never use strong corrosive detergent (such as cleanser, paint thinner, benzene and so on) or wire ball to scrub, and to avoid corroding the surface of the product.

- 2、如果您需要廢棄本產品，請勿將其作為一般生活垃圾處理，請依照法規經由合格業者進行合適的處理、恢復和回收。

Please dispose of this product in accordance to the local waste disposal laws and regulations.

# 簡易故障判斷及處理方法 Self diagnosis and troubleshooting

## ⚠ 溫馨提示：

以下表格的問題點的處理方法中有註明(針對用戶)的，用戶可以參照自行解決。如果解決不了，嚴禁未經指定的非專業人士進行自行拆解和維修，需及時聯繫相應的專業人士解決，避免問題擴大化或產生不必要的麻煩和損失。

## ⚠ Note:

Users may fix the problems on their own if the corrective action is to be taken by the user according to the chart below. Non-professionals are prohibited from disassembling and repairing the product. Please contact the relevant professionals for further troubleshooting to avoid aggravating the problem.

常見故障	原因	處理方法
水箱無法進水	1. 進水總閥未打開或停水。	1. 打開進水總閥或聯繫業者解決 (針對用戶)
	2. 水箱止水栓未打開。	2. 打開水箱止水栓 (針對專業的維修人員)
	3. 進水器有異物導致浮筒無法正常作動。	3. 檢查進水器並排除異物 (針對專業的維修人員)
	4. 排除以上原因，依然無法進水。	4. 更換進水器 (針對專業的維修人員)
水箱有水不斷流到馬桶裡	1. 水箱出水口、排水閥底座周圍有異物( 砌牆時不小心掉入的砂漿、小石塊等)，造成排水閥無法確實的密閉。	1. 清理水箱內部的異物 (針對專業的維修人員)
	2. 面板調節螺桿外露部份偏長，面板裝上後造成排水閥橡膠圈固定在某一位置上，無法密閉。	2. 調整面板調節螺桿的位置 (針對專業的維修人員)
	3. 在水箱裡面的面板調節螺桿偏長，頂到水箱內部的編織軟管或其水箱箱體上，有時導致無法復位。	3. 剪短面板調節螺桿 (針對專業的維修人員)

Common faults	Possible causes	Corrective actions
Water does not flow into the tank	1. Household water supply has not been turned on or has been cut off.	1. Turn on the household water supply or contact the relevant personnel (To be done by the user).
	2. Angle valve has not been turned on.	2. Turn on the angle valve (To be done by professionals only).
	3. Residuums in the inlet valve causing the float device to not operate properly.	3. Check the fill valve and remove the residuum (To be done by professionals only).
	4. None of the above.	4. Change the inlet valve (To be done by professionals only).
Water is constantly running into the bowl.	1. Flush valve seal is not completely closed due to residuums around the outlet of the cistern and flush valve (sand or debris lodged in during installation).	1. Remove the residuums in the cistern (To be done by professionals only).
	2. The exposed part of the panel's adjust screw is too long, which resulting the rubber of flush valve can not fixed in a certain position and can not sealed.	2. Adjust the position of the panel's screw (To be done by professionals only).
	3. The part of panel's adjusting screw in the cistern is too long, which may get stuck in the soft pipe or cistern body and unable to return sometimes.	3. To cut back the adjust screw (To be done by professionals only).

# 安裝說明

## INSTALLATION INSTRUCTION FOR MANUAL CONCEALED CISTERN

### ⚠ 重要事項：

1. 安裝前請仔細閱讀說明書，本公司不承擔因安裝人員未依照說明書要求施工所造成的損失，產品中包含潤滑劑，安裝馬桶時使用。
2. 在支架安裝前，應先確認安裝位置，並根據室內裝修的總體策劃確定裝修完成後的地坪面FFL，在安裝牆上劃出FFL線，並始終以此作為高度0的基準線。

⚠ 3. 在安裝支架前，請確認所安裝牆壁是承重牆，牆壁厚度在80mm以上，且能夠承受作用於馬桶前端300kgf以上的力量。

- 注意：1. 請貼瓷磚前安裝本產品；所有的尺寸單位為毫米(mm)。  
2. 圖示零件若與實物不符，請以實物為準。

⚠ FFL  $\nabla$ <sup>0</sup> = 完成地面

### ⚠ Important:

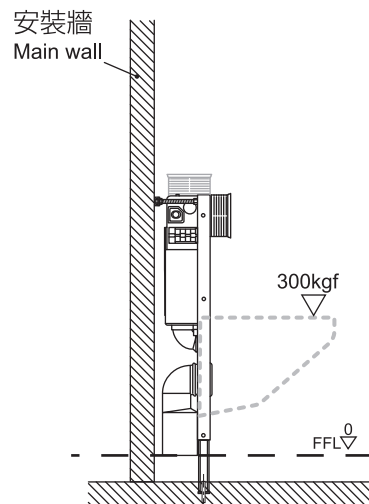
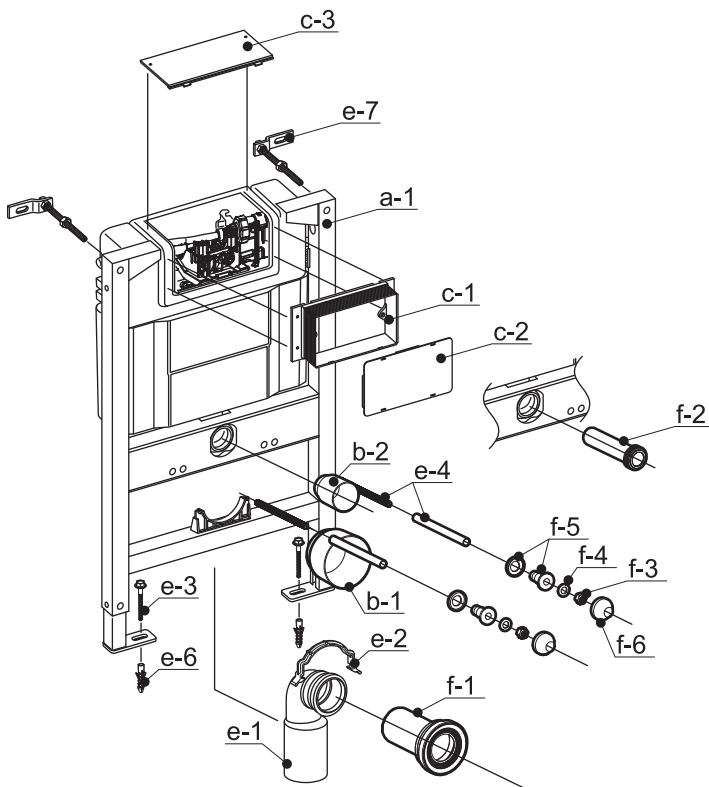
1. Please read through this Instructions carefully prior to installation, and our company shall not be responsible for any loss caused by not installing according with this Instructions. Lubricants are provided for the installation.
2. Please confirm the FFL according to the overall indoor fitment method. Line out the FFL on the wall and always regard FFL as datum line of 0 height.

⚠ 3. Please confirm the wall is the main wall, the thickness exceed 80mm and it can bear more than 300kgf strength when the strength act on the front of toilet bowl.

- Note:** 1. Please install the frame before paving the tiles. The dimensional unit is millimeter.  
2. As the parts images are for illustrative purposes only, please refer to the actual product if it varies from the parts images.

⚠ FFL  $\nabla$ <sup>0</sup> = FFL of finish face, all dimension is millimeter

## 配件一覽表： Accessories List:

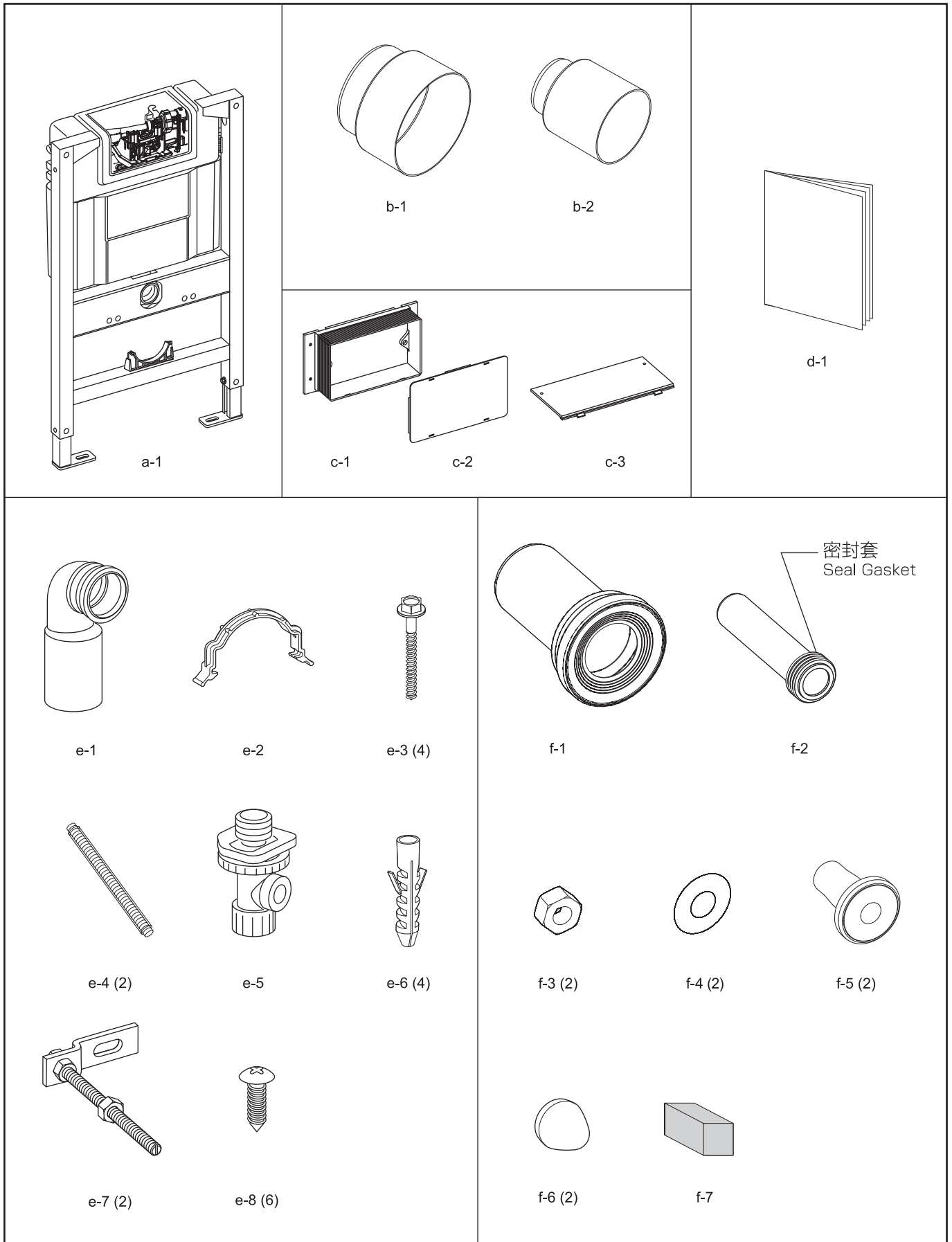


# 包裝確認

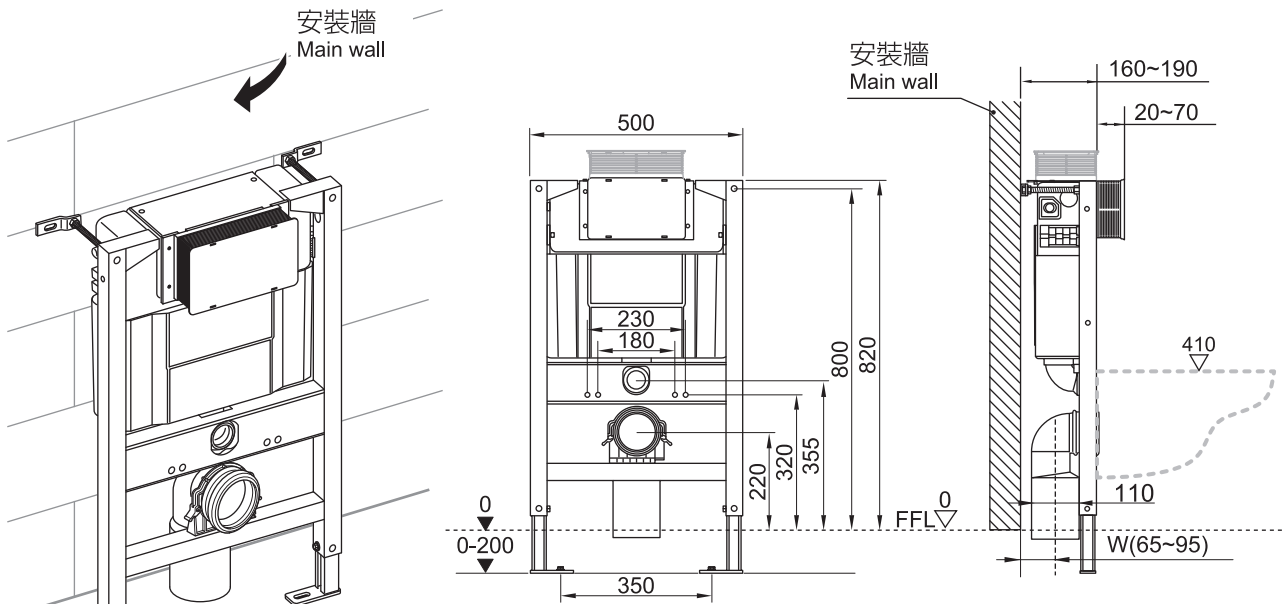
# Included Parts

請仔細確認包裝中的配件是否齊全：

Check to make sure you have all these parts from the package:



基本尺寸及供水管道鋪設：  
Dimensions and Supply Pipe-laying

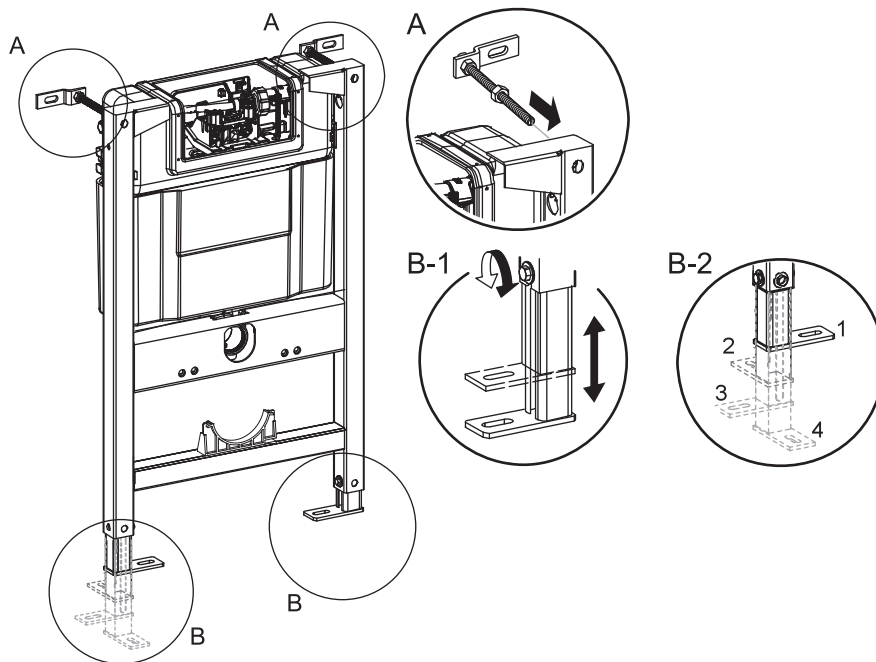


要求排水管中心到安裝牆面的距離  
(W)在65~95之間。

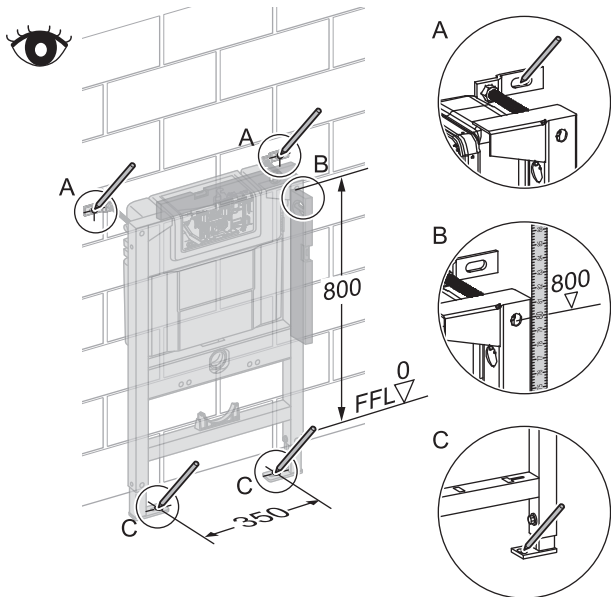
Please make sure W is between 65 to 95.

**1** 牆腳組裝、調整地板固定支架：

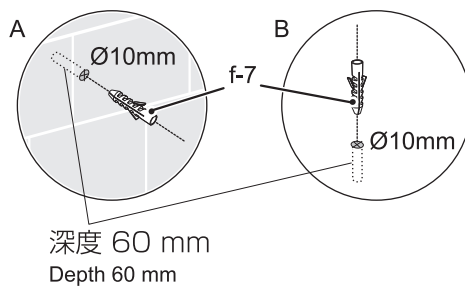
Install Wall-fixing brackets and adjust floor-fixing brackets



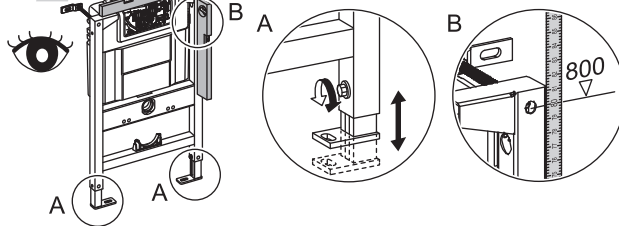
# 2



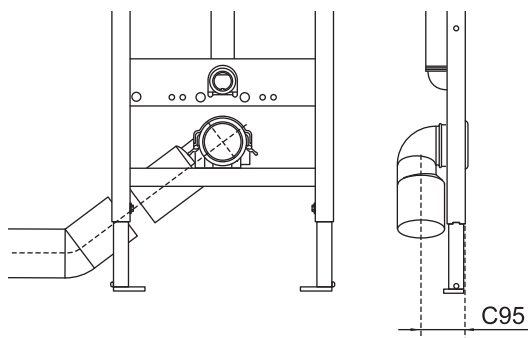
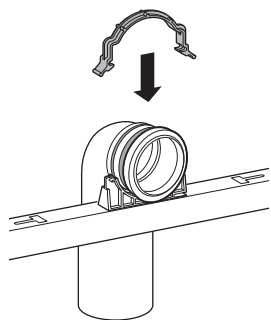
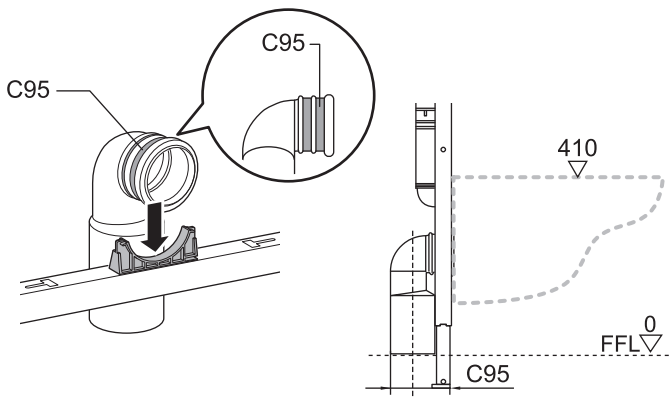
# 3



# 4



# 5

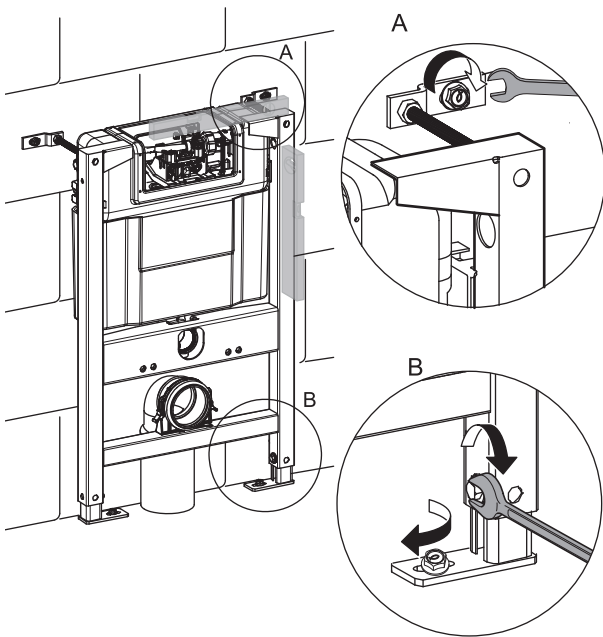


注意：排水管道安裝角度超過 45 度時，可能會影響排水功能。

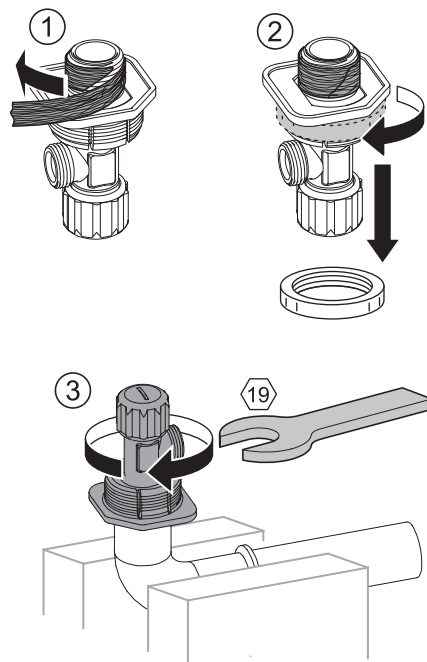
Note: The drainage function may be affected when the installation angle of drainage pipe exceed 45°

# 6

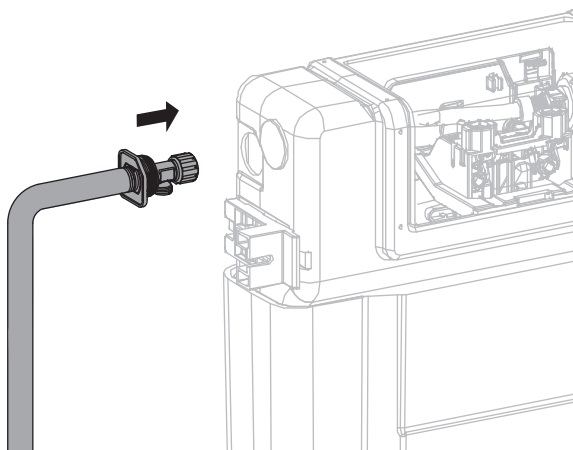
## 6.1



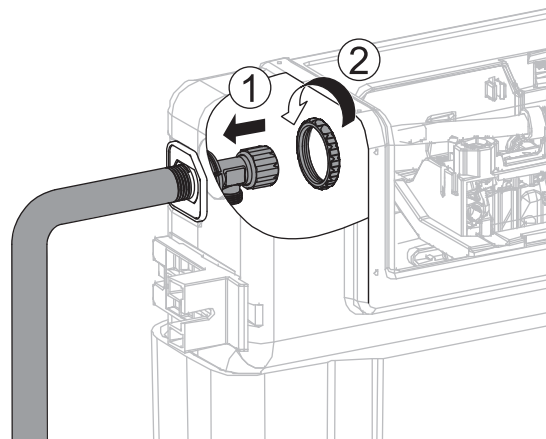
## 6.2



## 6.3

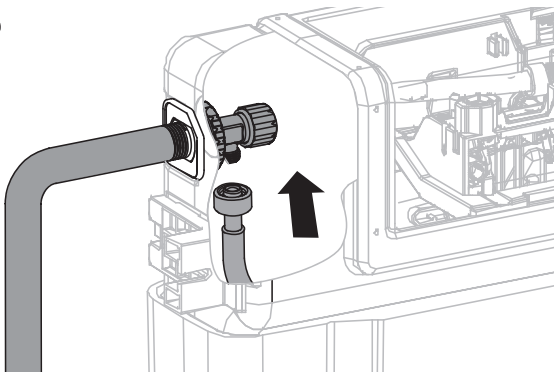


## 6.4

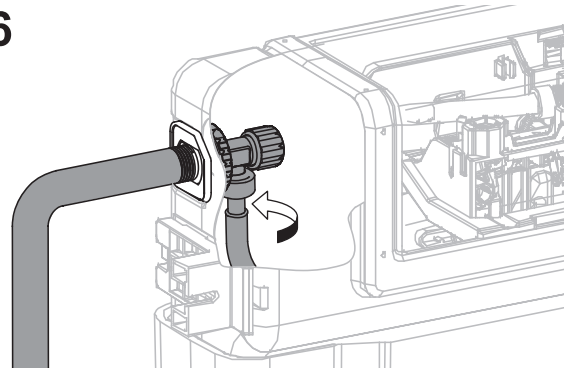




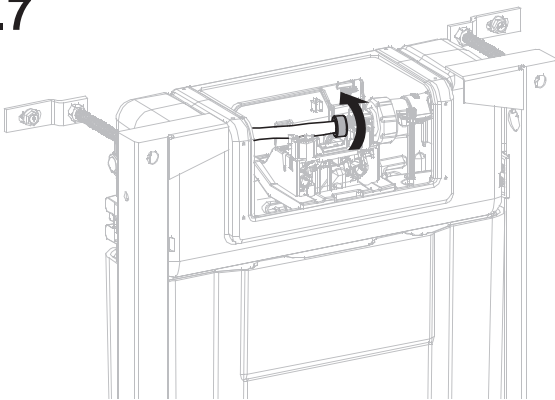
6.5



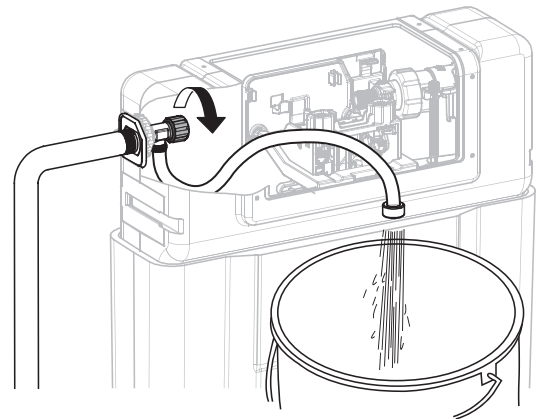
6.6



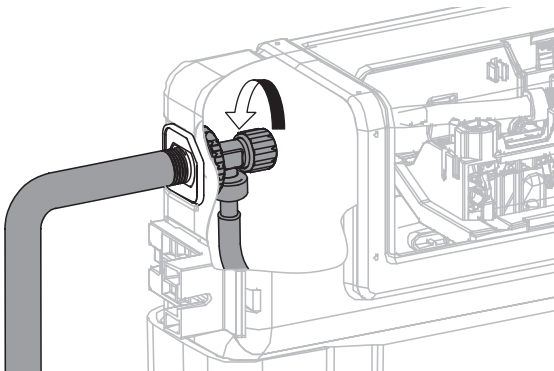
6.7



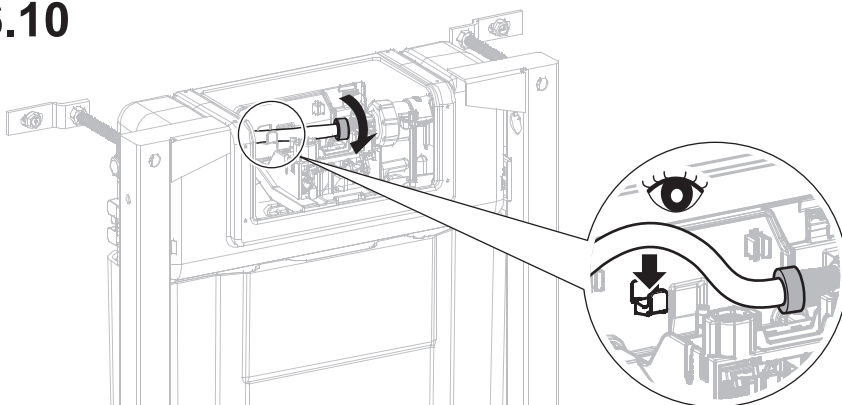
6.8



6.9



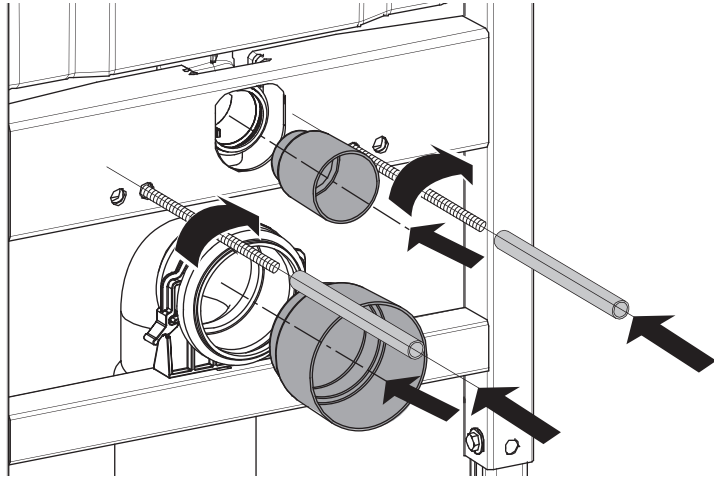
6.10



# 7

## 裝入裝修嵌件安裝：

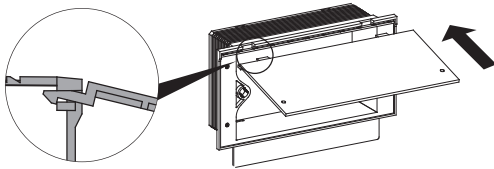
Install Plug:



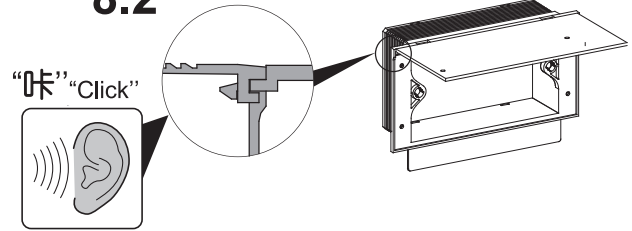
- 注：
- ⚠ 對於長螺桿的固定支撐上提供兩組不同距離螺栓孔，裝配時，請根據馬桶的尺寸進行選擇安裝。
  - ⚠ For the fixing of the long screw, there are two groups of screw holes on the bracket which are of different distance. Please choose the right position according to the size of the toilet bowl.

# 8

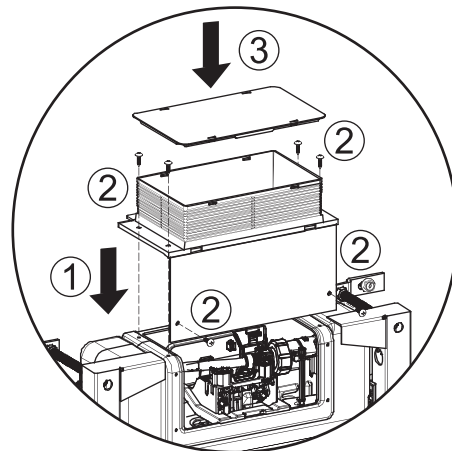
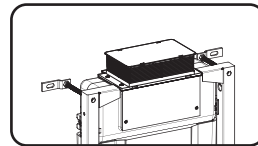
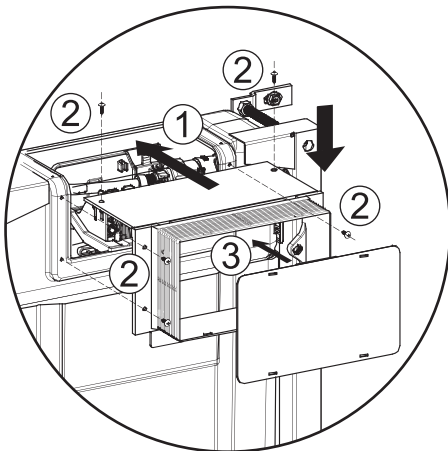
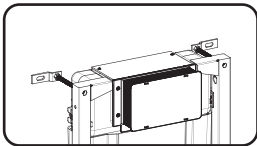
8.1



8.2



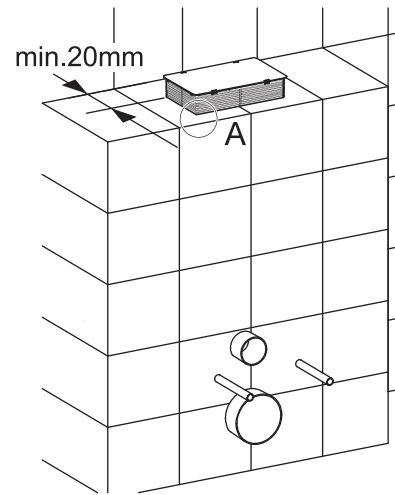
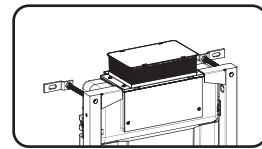
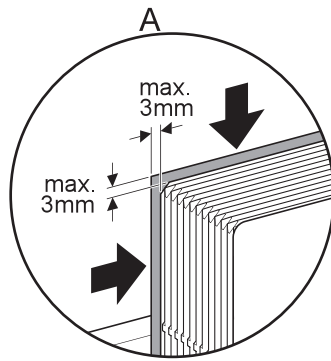
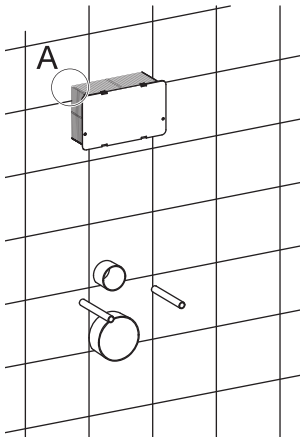
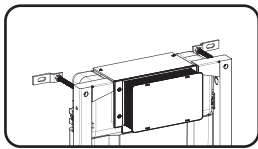
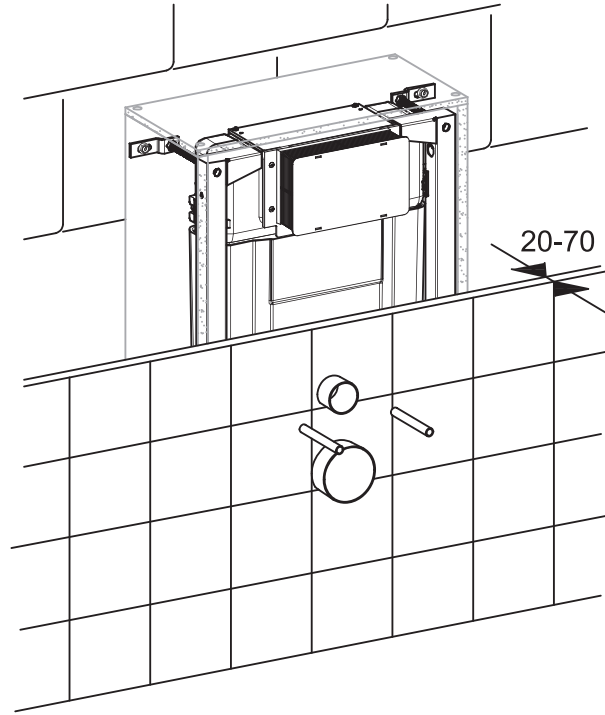
# 9



重要提示：在支架安裝後砌牆前，務必通水並放置12小時以上，檢查是否有滲透現象。



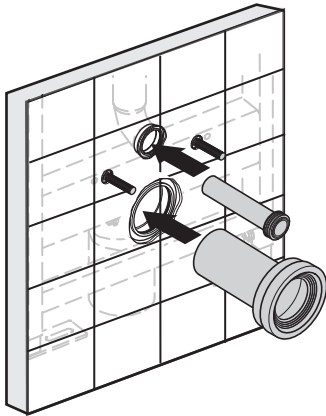
Important remind: When the concealed tank fixed completely, it is important to test leaking with water upon 12 hours before fixing wall.



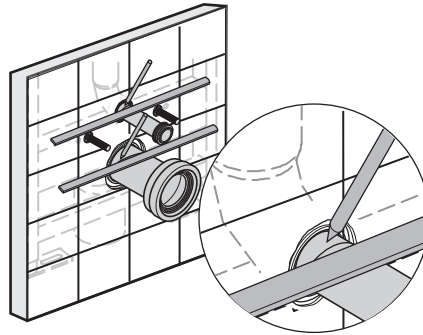
# 11

## 安裝馬桶： Install the toilet

1.



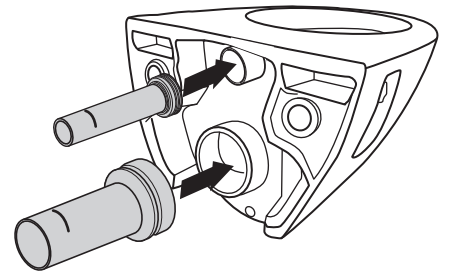
2.



將直管分別插入沖水直管和排水管  
到位，並劃線標示。

Set Straight Pipes into Flush Bend and  
Drain Bend properly, and marks lines.

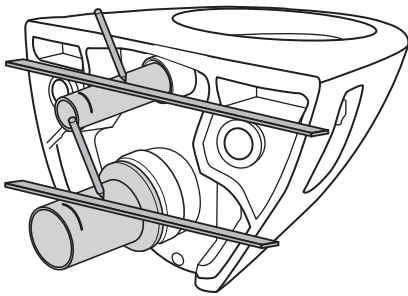
3.



分別在兩根直管橡膠圈上塗上潤滑  
油後，再插進馬桶中。

Add lubricant onto the Rubber Gaskets of  
two Straight Pipes and set them into Bowl.

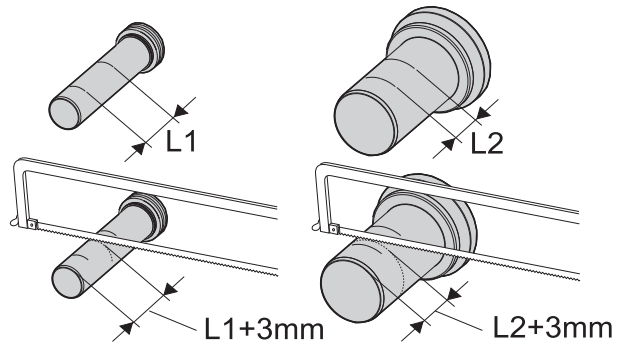
4.



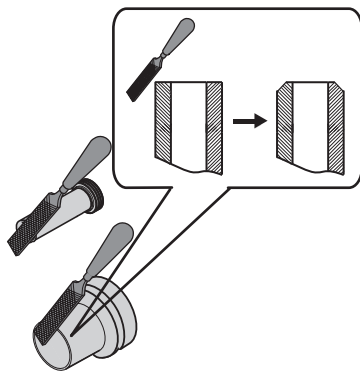
如圖進行劃線標示。

Mark lines as shows.

5.



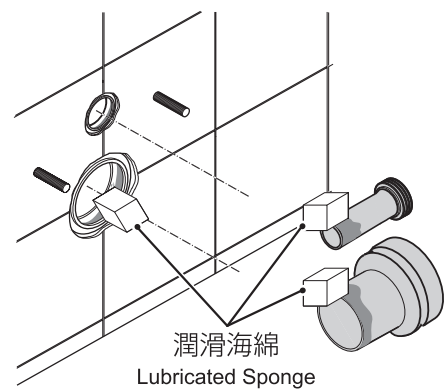
6.



將裁短的兩根直管管口端面打磨倒角(如圖)，並去  
除毛邊。

Chamfer and trim the cutting edges on the shortened Straight  
pipes (as shows).

7.



潤滑海綿

Lubricated Sponge

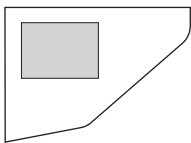
取出帶有膠合劑的海綿在直管與彎管的結合處塗上  
膠合劑。

Take out the sponge with silicon oil and smear it on connecting  
edges of Straight Pipe and Bends.

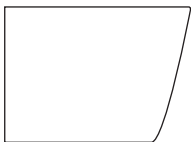
# 12 安裝馬桶： Install the toilet:

1.

馬桶類型  
Toilet bowl type



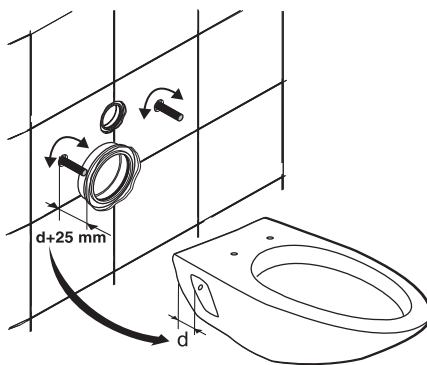
請進入步驟2。  
Proceed to step 2.



請依照馬桶附帶的施工說明書  
進行安裝。

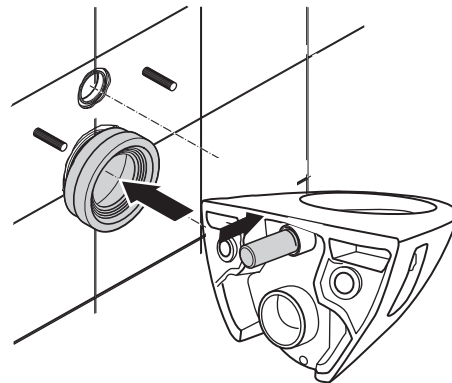
Install according to the Installation  
Guide enclosed with the toilet bowl.

2.



螺桿調節長度為 $d+25\text{mm}$ (如圖)。  
Adjusting length for Bolt is  $d+25\text{mm}$  as  
shows.

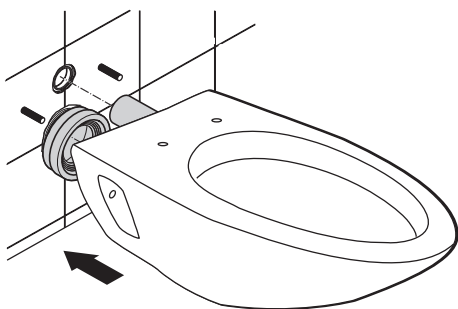
3.



排水直管插入排水管，再將沖刷直  
管插入馬桶給水孔中。

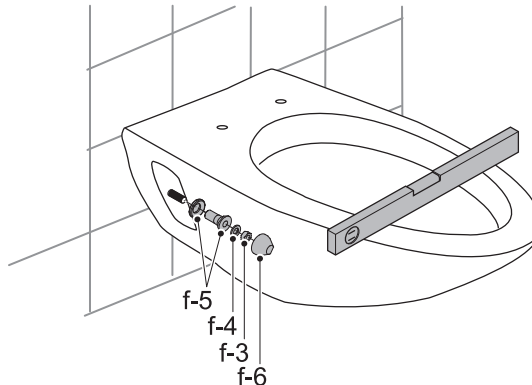
First install Drain Straight Pipe into Drain  
Bend, and then install Flush Straight Pipe  
into Hole on Bowl.

4.



插入馬桶。  
Install Bowl.

5.



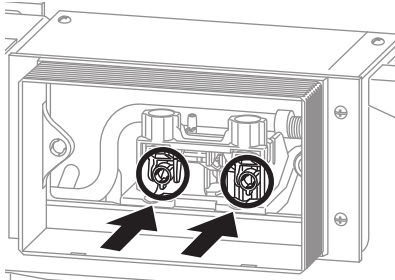
試運轉後，請確認所有連接處皆無漏水現象。  
如安裝不到位，就有可能會漏水，造成財產損失，如淋濕家具等。  
After conducting a test run, confirm that no connections are leaking water.  
Not installing the product properly may cause water leaks that could result in  
flooding damage to property, such as household belongings.

# 維修保養

Servicing procedures

## 更換排水閥 Replacing the Flush Valve

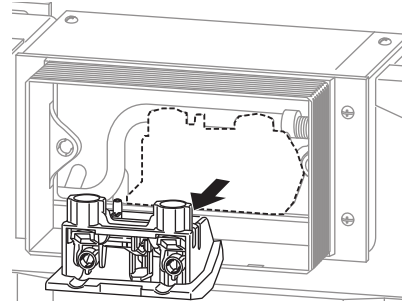
1.



關閉水箱中的排水閥，然後按下驅動件上的按鈕進行沖水。

Close the shutoff valve in the tank, and then push the button on the actuator to flush the water.

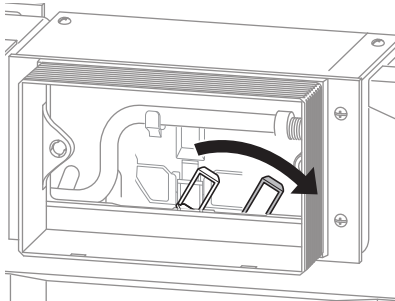
2.



壓住拉手拆下驅動件。

Remove the actuator.

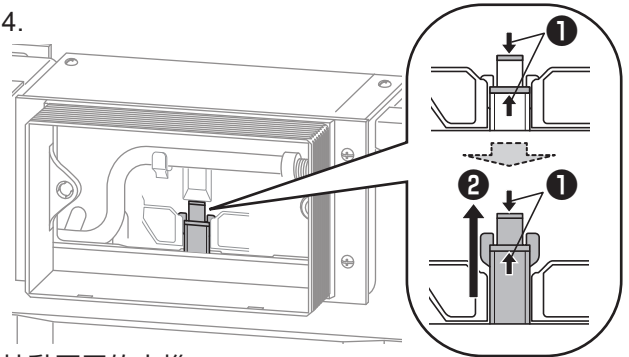
3.



將排水閥的兩根拉桿傾斜至右側。

Tilt the two pull-up rods of the flush valve to the right.

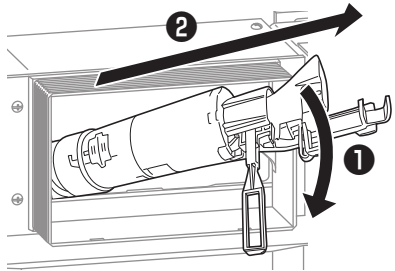
4.



拉動圖示的卡榫。

Pulling on the tab indicated.

5.



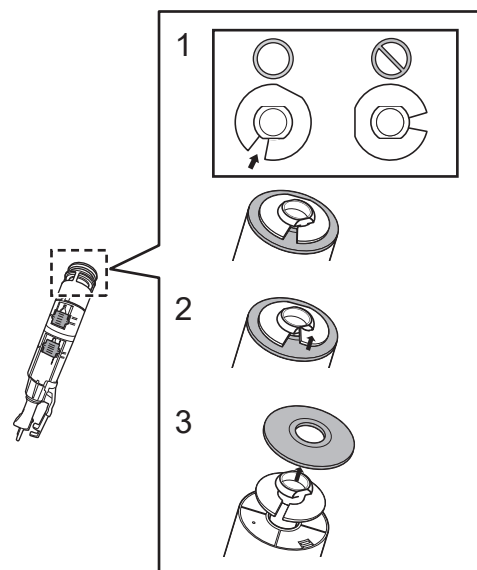
拉出時，旋轉整個排水閥。

Rotate the whole unit as you pull it out.

6.

排水閥底端的橡膠圈可以拆下進行清潔或更換。

At the other end of the flush valve, the rubber piece can be removed for cleaning or to be replaced.



7.

依照與上述相反的步驟操作，便能將零件安裝回水箱。

To install the parts back into the tank, do the reverse order.

## 清潔進水器濾嘴

### Cleaning the Filter of the Fill Valve

1. 依照上述操作，關閉水箱止水栓，然後拆下進水器。
2. 如圖所示，拆開進水器，然後用水清洗過濾網，或者用刷子清除髒汙。
3. 依照與上述相反的步驟操作，便能將進水器安裝回原來的位置。

1. Close the water shutoff valve, and then remove the fill valve as described above.
2. As shown in the figure, disassemble the fill valve, and then either clean the filter with water or use a brush to clean any dirt from it.
3. To install, follow the procedure in reverse to return the fill valve to its original position.

